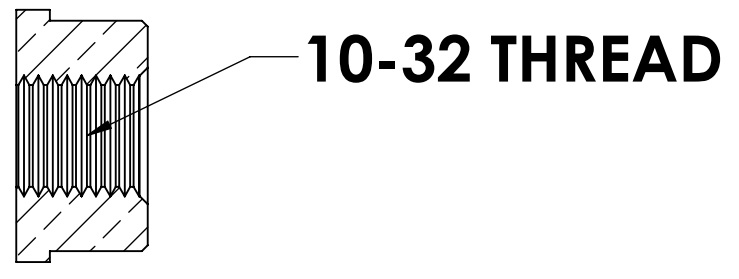
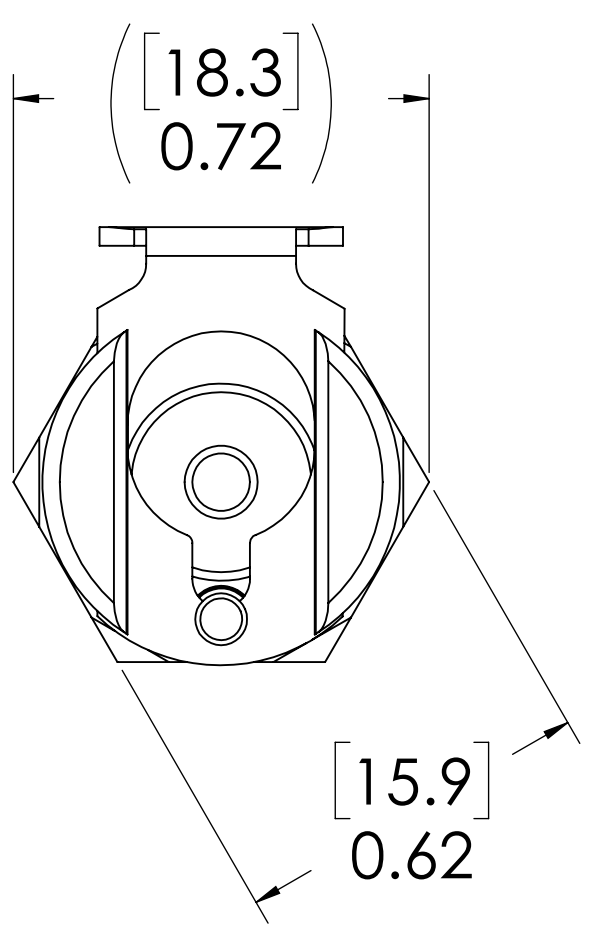
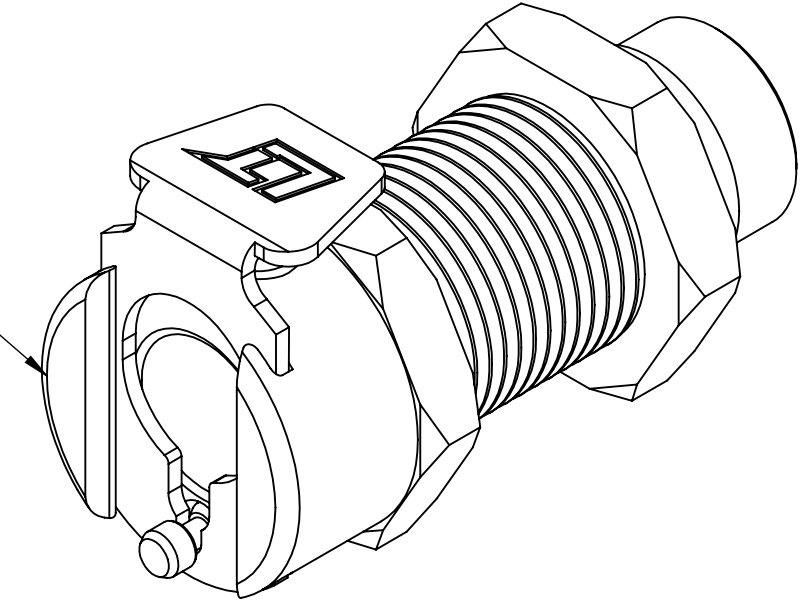


REVISIONS						
SHEET	ZONE	REV.	ECO	DESCRIPTION	DATE	APPROVED
ALL	ALL	A	50242	PIN, PIN SPRING & 2017 FORMAT UPDATE	11/6/2018	HRC

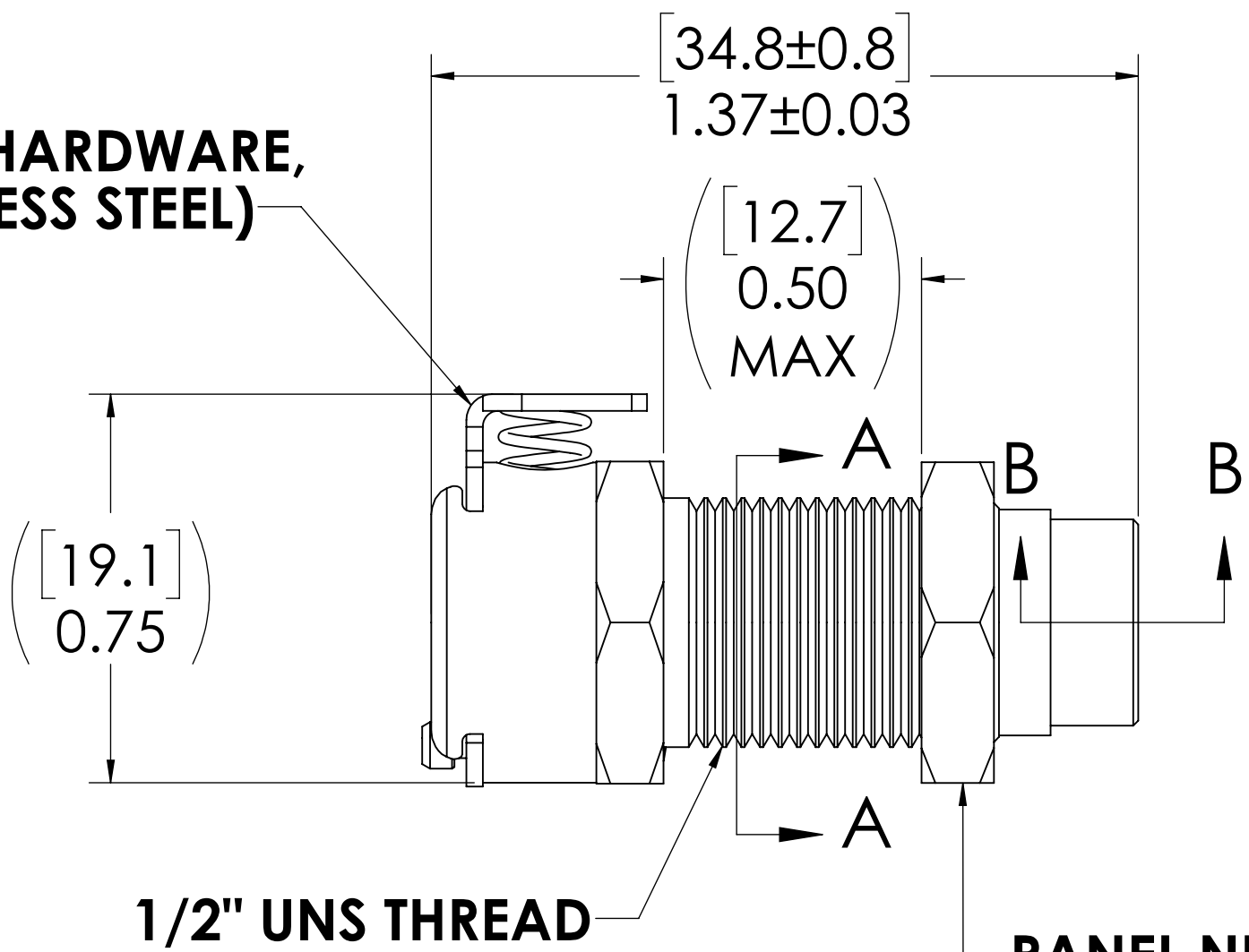


SECTION B-B

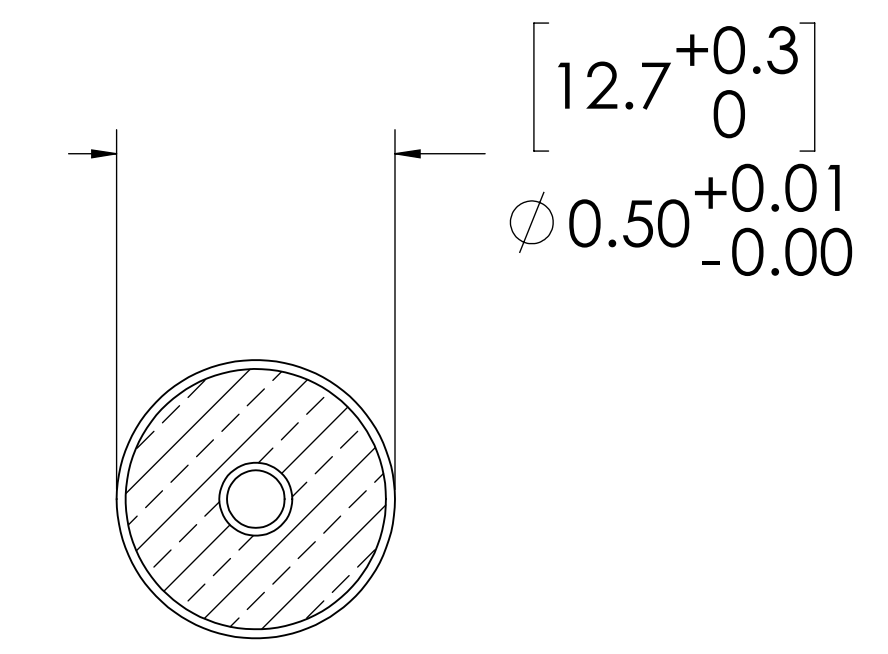
**SOCKET,
(BRASS, NICKEL
AND CHROME PLATED)**



**LATCH HARDWARE,
(STAINLESS STEEL)**



**PANEL NUT
(BRASS, NICKEL PLATED)
(PACKAGED SEPARATELY)**



**PANEL OPENING
SECTION A-A**

- NOTES:**
- MATERIAL: BRASS
 - COLOR: CHROME

FOR REFERENCE ONLY

<small>UNLESS OTHERWISE SPECIFIED: DIMENSIONS ARE IN INCHES TOLERANCES: FRACTIONAL ± 1/32 ANGULAR, MACH ± 0.5 BEND ± 2 ONE PLACE DECIMAL ± 0.1 TWO PLACE DECIMAL ± 0.01 THREE PLACE DECIMAL ± 0.005 TWO PLACE DUAL (mm) [± 0.12]</small>	DRAWN	RDA	1/22/2018	 PART NO: 20CB-S19-1032 DESCRIPTION: LinkTech 20CB Series Panel Mt. Female, Female Thread, Non-valved, 10/32, Chrome Brass
	CHECKED	HRC	1/22/2018	
	ENG APPR.	HRC	11/6/18	
	MFG APPR.	BDB	11/6/18	
<small>PROPRIETARY AND CONFIDENTIAL THE INFORMATION CONTAINED IN THIS DRAWING IS THE SOLE PROPERTY OF LINKTECH LLC. ANY REPRODUCTION OR DISCLOSURE IN PART OR AS A WHOLE WITHOUT THE WRITTEN PERMISSION OF LINKTECH LLC IS STRICTLY PROHIBITED.</small>	PRODUCTION	LS	11/6/18	<small>COMMENTS:</small>
<small>SIZE DWG. NO. REV</small> C 20CB200050 A	<small>SCALE: NTS WEIGHT:</small>	<small>SHEET 1 OF 1</small>		